

## PROMETHEUS

---

### DATA SHEET

#### *Description*

---

PROMETHEUS is an igniter power system for gas turbines. In conjunction with standard surface effect spark plugs it produces an intense spark every half of a second while energised from a nominal 24 VDC battery power supply.

Energy conversion and utilisation in the spark plug is very high and compared with alternative high-energy ignition systems the spark projects out from the tip of the plug therefore providing more margin for successful ignition with regard to air:fuel ratio and pressure. This is especially the case on liquid fuelled turbines with pressure atomised burner nozzles.

PROMETHEUS is certified flameproof for installation in Zone 1 hazardous areas (all gas groups).

Access for connection of supply and HT cables is provided by screw terminals after removing a screw down domed upper casing. This avoids the need for inconvenient and expensive electrical connections in the external HT cable.

#### *Application range*

---

→ Gas turbines

#### *PROMETHEUS Spark*



#### *Spark from alternative 16 Joule unit*



#### *Features*

---

Highly efficient conversion

---

Intense spark

---

Hazardous area certification to Zone 1, all gas groups

---

No lifetime limited parts used

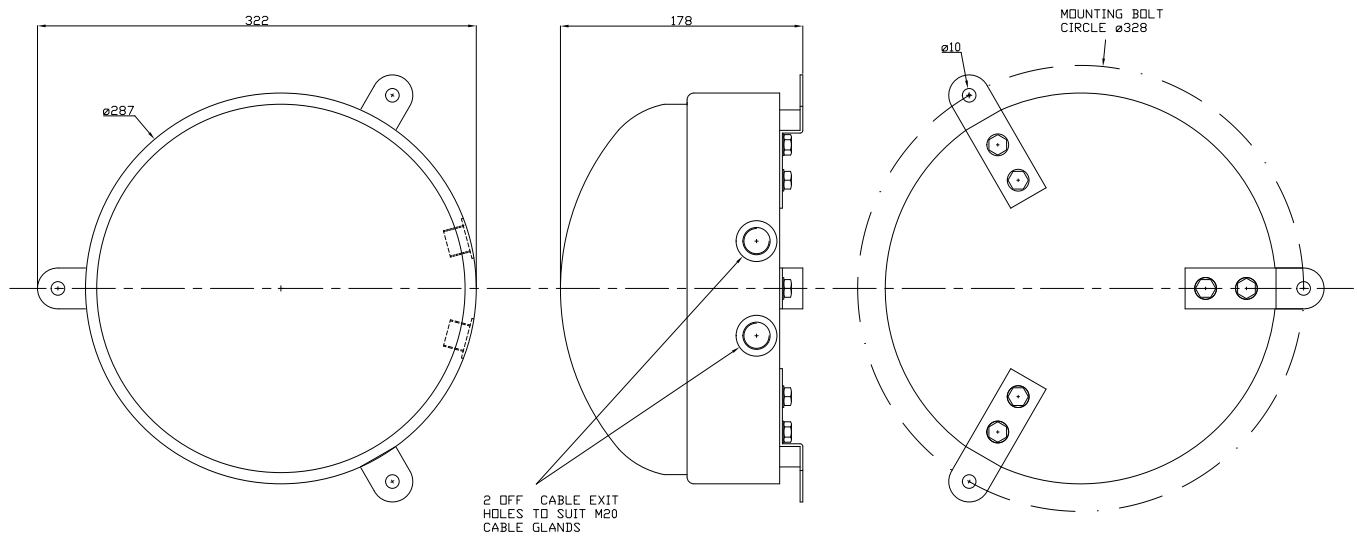
---

24 VDC nominal battery supply

## Technical data

Designation	PROMETHEUS 16
Energy per spark	16 Joules
Spark voltage	2000 V
Spark frequency	2 sparks per second
Power supply voltage	Nominal 24 VDC +/- 20 %
Current consumption	1.5 – 2 A
HT cable entry	20 mm female for silicon insulated conductors in HT conduit (stopping box required)
Power supply cable entry	20 mm female for standard certified cable gland
Method of cable termination	Screw terminals
Certification	Flame proof zone 1 (all gas groups)
Weight	11.5 kg
Operating temperature	-20 up to +90 deg C

## Dimensions



Subject to alterations. ©Heinzmann UK Ltd, 2015

### Heinzmann UK

#### Heinzmann UK Ltd.

Stanley House, Wallis Road  
Skippers Lane Industrial Estate  
Middlesbrough TS6 6JB  
United Kingdom  
Phone: +44 1642 467484  
Fax: +44 1642 458488  
Email: [info@heinzmannuk.com](mailto:info@heinzmannuk.com)  
[www.heinzmann-turbine-controls.com](http://www.heinzmann-turbine-controls.com)



### Head Office

#### Heinzmann GmbH & Co. KG

Am Haselbach 1  
D-79677 Schönau/Germany  
Phone: +49 7673 8208 - 0  
Fax: +49 7673 8208 - 188  
Email: [info@heinzmann.de](mailto:info@heinzmann.de)  
[www.heinzmann.com](http://www.heinzmann.com)